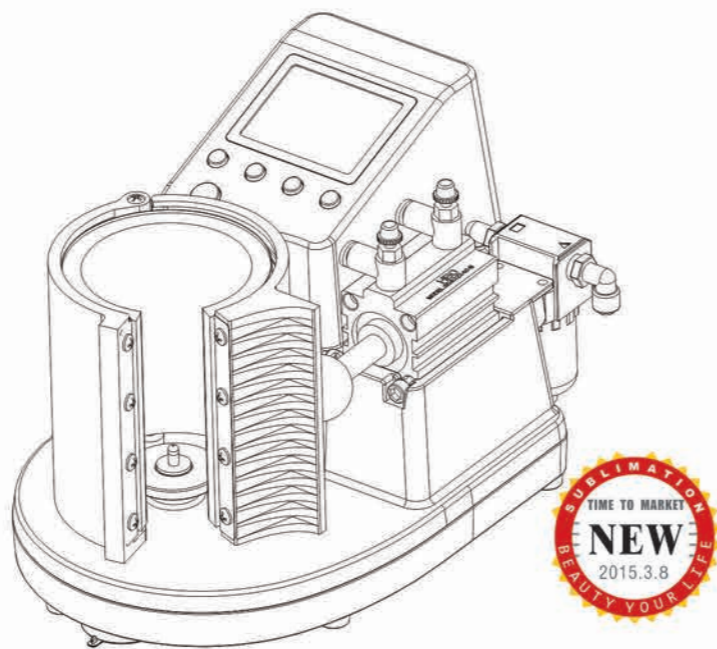


**EN** Start Here

**TC** 入門指南

**BestSub**<sup>®</sup>  
迷你氣動烤杯機

 warnings must be followed carefully to avoid bodily injury.  
必須嚴格遵守警告事項以免身體受損。



Unpacking  
拆裝

Contents may vary by location  
內容可能因為地區而有所不同

Please remove the packing foam carefully and keep well for maintenance.  
請小心移除設備外包裝泡沫。並保存好該包裝材料，以備維修時使用。



警告  
caution

1. 請使用能負載機器額定功率的電源
2. 保持設備的通風，遠離易燃物品
3. 將設備放置在水平平坦的表面
4. 在儲存運輸和運行環境中，請注意防水



Remove all protective materials.  
移除所有包裝物質









Feature  
commentary  
控制面板詳解

2

-  電源開關
-  倒計時開始
-  進入設置
-  數值增加
-  數值減少
-  氣泵狀態
-  加熱狀態
-  停止 / 開始



<p> POWER</p> <p>Press power button at back of the machine, it will start to heat and air inflating by itself after five seconds.</p>	<p> TIMING</p> <p>State 1: Press TIMING one time to start. State 2: Press 4 seconds to reset. State 3: Press TIMING and MODE at the same time to adjust temperature.</p>	<p> MODE</p> <p>State 1: Short press to set temperature. Press again to set time. Press again to quit. State 2: Press 5 seconds to pre-heating, set temperature to avoid mug mat air burning.</p>	<p> PLUS</p> <p>State 1: You can increase value under setting state. State 2: Press 2 seconds, hear one beep, you can press "-" to set processing capacity.</p>	<p> MINUS</p> <p>State 1: You can decrease value under setting state. State 2: Press 5 seconds, hear one beep, press "+" to set processing capacity.</p>	<p> STOP</p> <p>State 1: Short press, air cylinder open. State 2: Short press, air cylinder close. Timing start.</p>
--	---	--	--	---	---

<p></p> <p>打開機器後面船形電源開關，機器通電，5秒後自動開始加熱并充氣。</p>	<p>狀態1： 按一下倒計時開始</p> <p>狀態2： 長按4秒計時復位</p> <p>狀態3： 同時按TIMING和MODE進入溫度校正。</p>	<p>狀態1： 短按進入溫度設置再按進入時間設置再按退出</p> <p>狀態2： 長按5秒進入預熱溫度設置，預防烤杯墊空燒。</p>	<p>狀態1： 在設置狀態下可增加數值。</p> <p>狀態2： 長按2秒後滴一聲響後再按-鍵，可設置加工數量。</p>	<p>狀態1： 在設置狀態下可減少數值。</p> <p>狀態2： 長按5秒後滴一聲響後再按+鍵，可設置加工數量。</p>	<p>狀態1： 短按1下氣缸打開。</p> <p>狀態2： 短按1下氣缸閉合計時開始。</p>
---	---	--	--	--	---

組合鍵功能解說 Function Commentary of Combination Key

1、提示音開關 switch of warning tone



同時按“MODE、+”打開提示音  
同時按“MODE、-”關閉提示音

Press "MODE" and "+"  
turn on the warning tone  
Press "MODE" and "-"  
turn off the warning tone

2、加工量設置 processing capacity setting



先長按“+”2秒聽到蜂鳴一聲，“+”不鬆開，再按下“-”，蜂鳴一聲。進入計數設置。鬆開按鍵後，按“+”“-”調節加工數量。

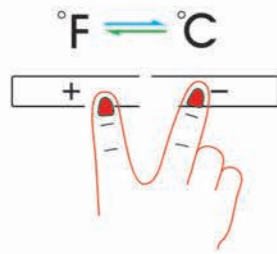
Press "+" for two seconds, hear one beep, keep press. Then press "-", after hear one beep, you can set. Release button, press "+" and "-" to set amount.

3、總量統計 gross statistics



先長按“-”2秒聽到蜂鳴一聲，“-”不鬆開，再按下“+”，蜂鳴一聲。進入從出廠到當前總的數量統計。

Press "-" for two seconds, hear one beep, keep press. Then press "+", after hear one beep, you can see the gross statistics from factory default to now.

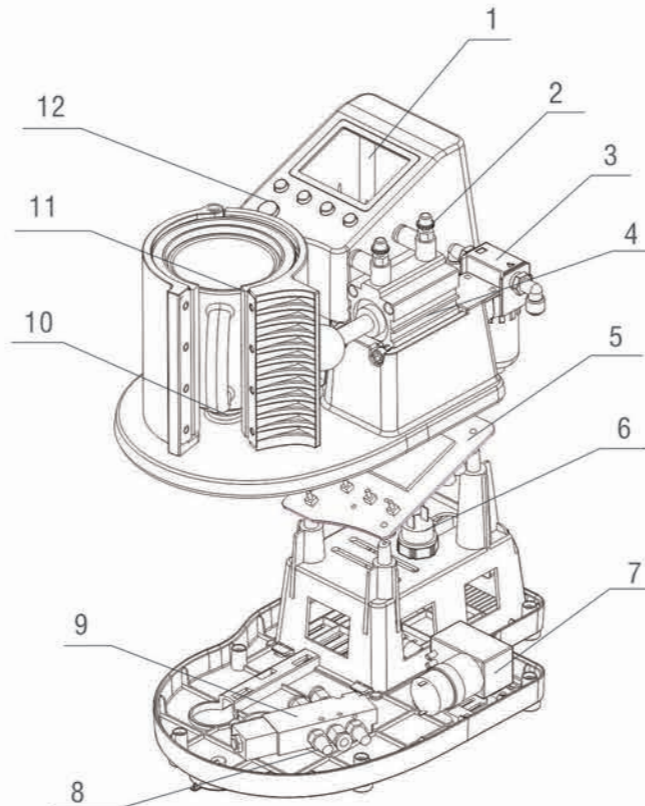


注意：同時按住（+/-）鍵可快速實現攝氏度和華氏度之間的轉換。

Attention: Press (+/-) at the same time, you can switch between °F & °C.

Accessory Name Graphic  
配件名稱圖解

# 3

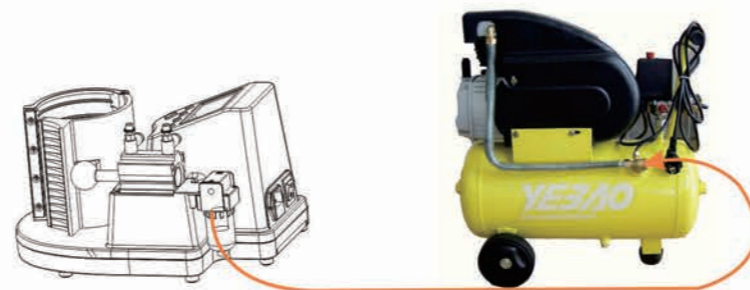


- |          |                          |
|----------|--------------------------|
| 1、液晶顯示面板 | 1、LCD panel              |
| 2、氣壓調節閥  | 2、air pressure regulator |
| 3、過濾器    | 3、filter                 |
| 4、氣缸     | 4、air cylinder           |
| 5、電路板    | 5、circuit board          |
| 6、壓力開關   | 6、pressure switch        |
| 7、打氣泵    | 7、inflating pump         |
| 8、消音器    | 8、silencer               |
| 9、電磁閥    | 9、solenoid valve         |
| 10、接近開關  | 10、approach switch       |
| 11、烤杯發熱墊 | 11、mug heating pad       |
| 12、急停開關  | 12、Emergency Stop Switch |

How to connect an external air compressor  
外接空壓機的聯綫方法

拔下烤杯機過濾器後面的進氣管，外接一根6mm大的氣管和空壓機的出氣口相聯，機器自動會關閉內部打氣泵而使用外接氣泵供氣。無需任何設置。

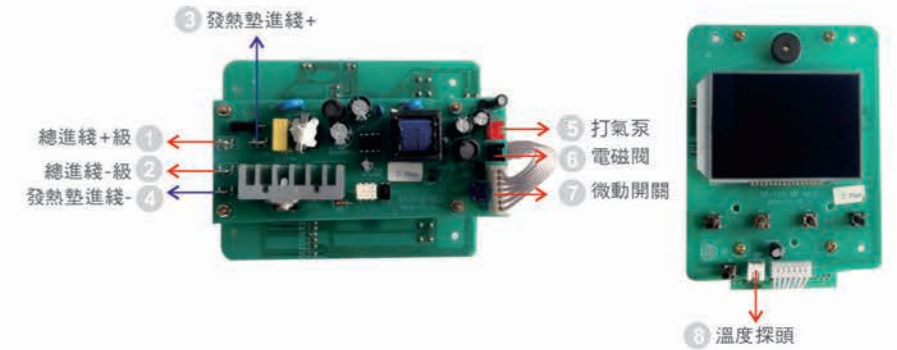
Pull out the inlet pipe behind the mug press filter, connect one extra 6mm air pipe with air compressor outlet, machine itself will close inner inflating pump automatically, and make external air compressor to supply air, no need other setting.



1 connection method  
電路板的接綫方法

2 power cord colors  
電源綫的顏色

- |  |         |
|--|---------|
|  | 1、紅色    |
|  | 2、藍色    |
|  | 3、白色    |
|  | 4、黑色    |
|  | 5、紅色+黑色 |
|  | 6、黑色+黑色 |
|  | 7、藍色+藍色 |
|  | 8、黑色+黑色 |



- |         |
|---------|
| 1、red   |
| 2、blue  |
| 3、white |
| 4、black |

- |               |
|---------------|
| 5、red+black   |
| 6、black+black |
| 7、blue+blue   |
| 8、black+black |

Answers to questions  
常見問題解答

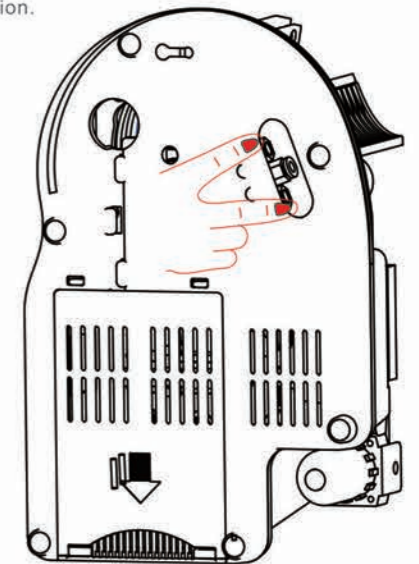
# 4

Question: the inflating pump is working, but air cylinder is not going forward, what's the problem?

Answer: it may because you press STOP button frequently causes solenoid valve deflating frequently and no return, then caused air leak.

Solution 1:  
Upside down the machine, plug the silencer holes (as shown in the picture) Turn on the air compressor, after about 10 seconds, inflating finished, air cylinder will go back to normal position.

Solution 2:  
Find a bigger air compressor, pull out the pipe behind the filter, Use the big air pressure to make solenoid valve back to normal position.



1 問：我的機器打氣泵在工作，但是氣缸不向前推，什麼回事？

答：這是因為可能你平常按動STOP鍵，電磁閥放氣太頻繁沒有回位，有漏氣現象。

解決方法1：  
把機器倒過來，用二個手指堵住如圖所示消音器孔，打開氣泵讓它工作，約10秒後充氣完成後氣缸會回位。

解決方法2：  
找一個大一些的空壓機，拔下過濾器後面的氣管，直接用空壓機的大氣壓，把電磁閥復位。

Clean air filter  
清理空氣過濾器

# 5



從此處取出  
take out form here

將裏面的污水倒空  
pour out the waste water

定期進行清潔  
clean it regularly